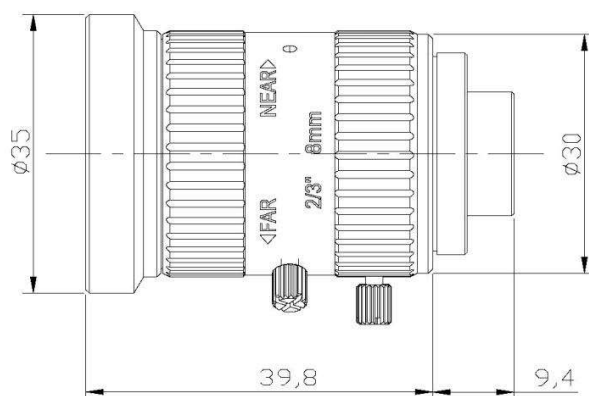


**FEATURES**

- ◆ Brand: ZLKC
- ◆ 2/3" C-Mount 8mm F2.8 10MP
- ◆ Design the high-resolution
- ◆ Can suppress stray light
- ◆ Low distortion, NIR Sensitivity
- ◆ Compact & Small volume


**SPECIFICATION**

10MP 8mm FA Lens C Mount		Working Distance	Magnification	2/3" Field of View (mm)		
Model	HMV-V0828MP10	mm	X	H	V	
Image Size	2/3-inch	1000	0.0077X	1124.3	910.8	
Focal length	8mm	900	0.0085X	987.8	821.1	
F No.	F2.8-16	850	0.0091X	934.2	776.5	
M.O.D(m)	0.15-Inf.	800	0.096X	879.7	731.2	
Operation	Iris	Manual	750	0.010X	825.8	686.4
	Focus	Manual	700	0.011X	771.9	641.6
Horizontal Angle of View (D×H×V)	2/3"	69.7°×58.5°×45.5°	650	0.012X	717.8	595.6
	1/2"	50.7°×42.5°×33.1°	600	0.013X	664.1	551.9
	1/3"	38°×31.9°×24.8°	550	0.014X	610.1	507.1
Distortion	-0.81%	500	0.015X	556.1	462.2	
BFL	10.7mm	450	0.017X	502.1	417.3	
Flange FL	17.526mm	400	0.019X	447.9	372.3	
Mount	C-Mount	350	0.022X	394.0	327.5	
Object Dimension	178.1mm×148.1mm (WD=150mm)	300	0.025X	340.1	282.7	
Dimension	Φ35×39.8mm	250	0.030X	286.2	237.8	
Weight	83.4g	200	0.037X	232.2	193.0	
Filter	M32.7×P0.5	150	0.048X	178.1	148.1	
Working Temperature	-20°C ~ +60°C	100	0.068X	125.4	104.2	