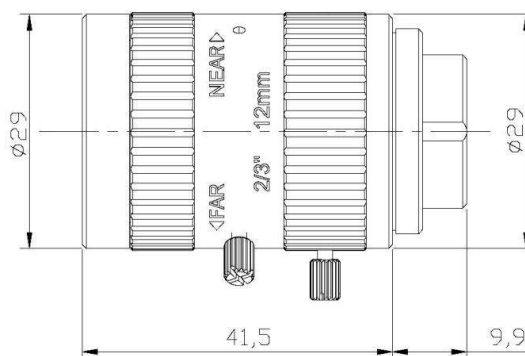


FEATURES

- ◆ Brand: ZLKC
- ◆ 2/3" C-Mount 12mm F2.8 10MP
- ◆ Design the high-resolution
- ◆ Can suppress stray light
- ◆ Low distortion, NIR Sensitivity
- ◆ Compact & Small volume


SPECIFICATION

10MP 12mm FA Lens C Mount		Working Distance	Magnification	2/3" Field of View (mm)		
Model	HMV-V1228MP10	mm	X	H	V	
Image Size	2/3-inch	1000	0.012X	708.14	588.59	
Focal length	12mm	900	0.013X	637.65	529.99	
F No.	F2.8-16	850	0.014X	602.33	500.63	
M.O.D(m)	0.15-Inf.	800	0.015X	566.98	471.25	
Operation	Iris	Manual	750	0.016X	517.93	441.96
	Focus	Manual	700	0.017X	496.55	412.72
Horizontal Angle of View (D×H×V)	2/3"	49.2°×40.3°×30.8°	650	0.018X	461.20	383.34
	1/2"	36.9°×29.9°×22.7°	600	0.020X	425.81	353.92
	1/3"	28.1°×22.7°×17.1°	550	0.022X	390.63	295.25
Distortion	-0.03%	500	0.024X	355.22	295.25	
BFL	8.43mm	450	0.027X	320.03	266.00	
Flange FL	17.526mm	400	0.030X	284.64	236.58	
Mount	C-Mount	350	0.034X	249.22	207.14	
Object Dimension	108.2mm×89.9mm(WD=150mm)	300	0.040X	214.05	177.91	
Dimension	Φ29×41.5mm	250	0.048X	178.67	148.50	
Weight	70.3g	200	0.060X	143.47	119.25	
Filter	M27 P=0.5mm	150	0.067X	108.18	89.91	
Working Temperature	-20°C ~ +60°C	100	0.080X	76.42	63.51	